

Spare Parts List for **Bishamon Skid Lifter**

Manually Operated Model - 1,000 kg. Capacity

Model LV100•LV100W

(For the units produced after July 1999)

(No Pricing Shown)



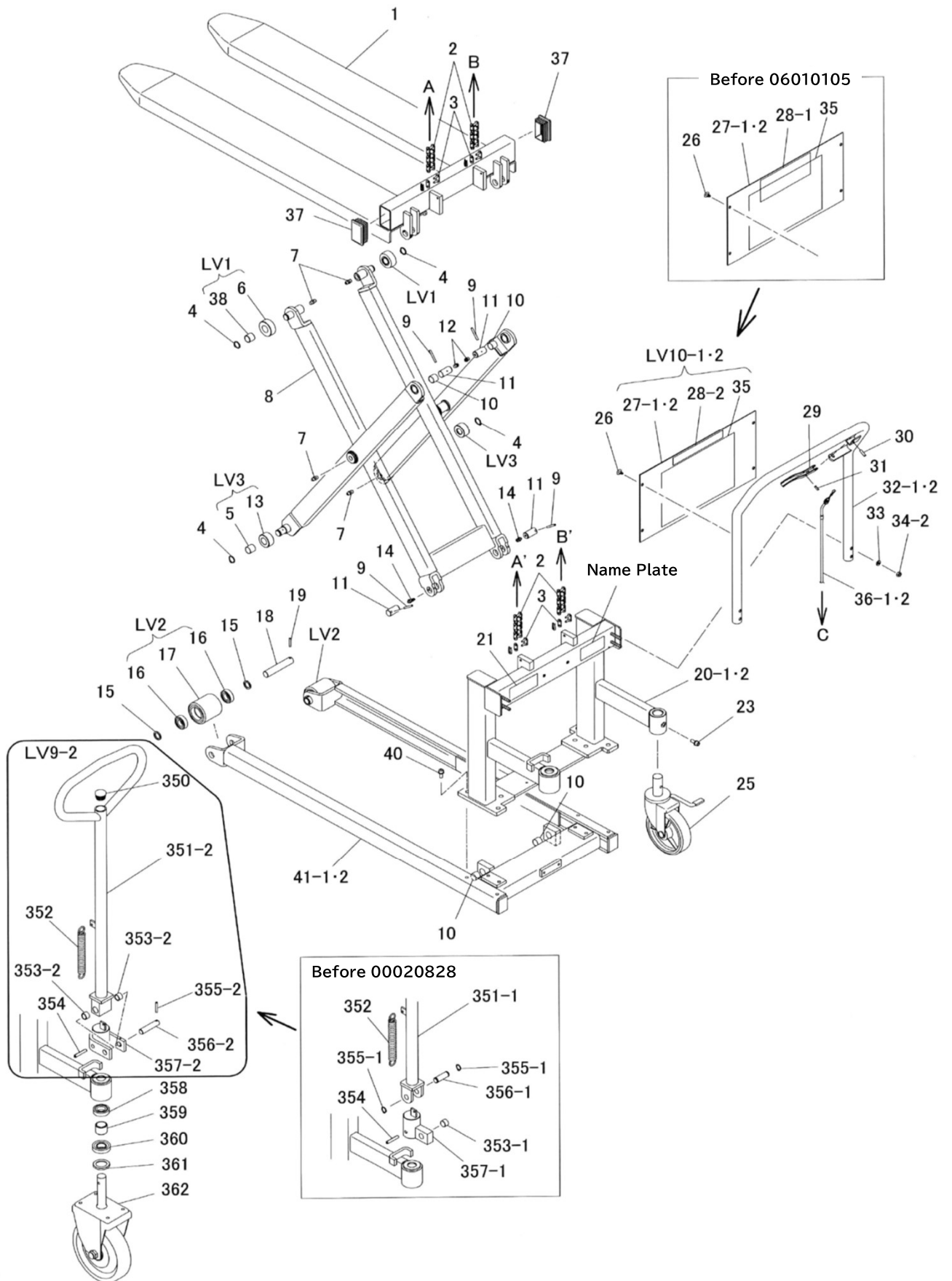
LV100

Contents

Skid Lifter - Model No. and Type	Page
Manually Operated Model	
• 1,000 kg (LV100) Fork Size - 520 x 1,080mm	
• 1,000 kg (LV100W) Fork Size - 685 x 1,080mm	
1) Frame	2 ~ 5
2) Cylinder	6 ~ 9
Option	10 ~ 11

LV100 (After July 1999)

Frame



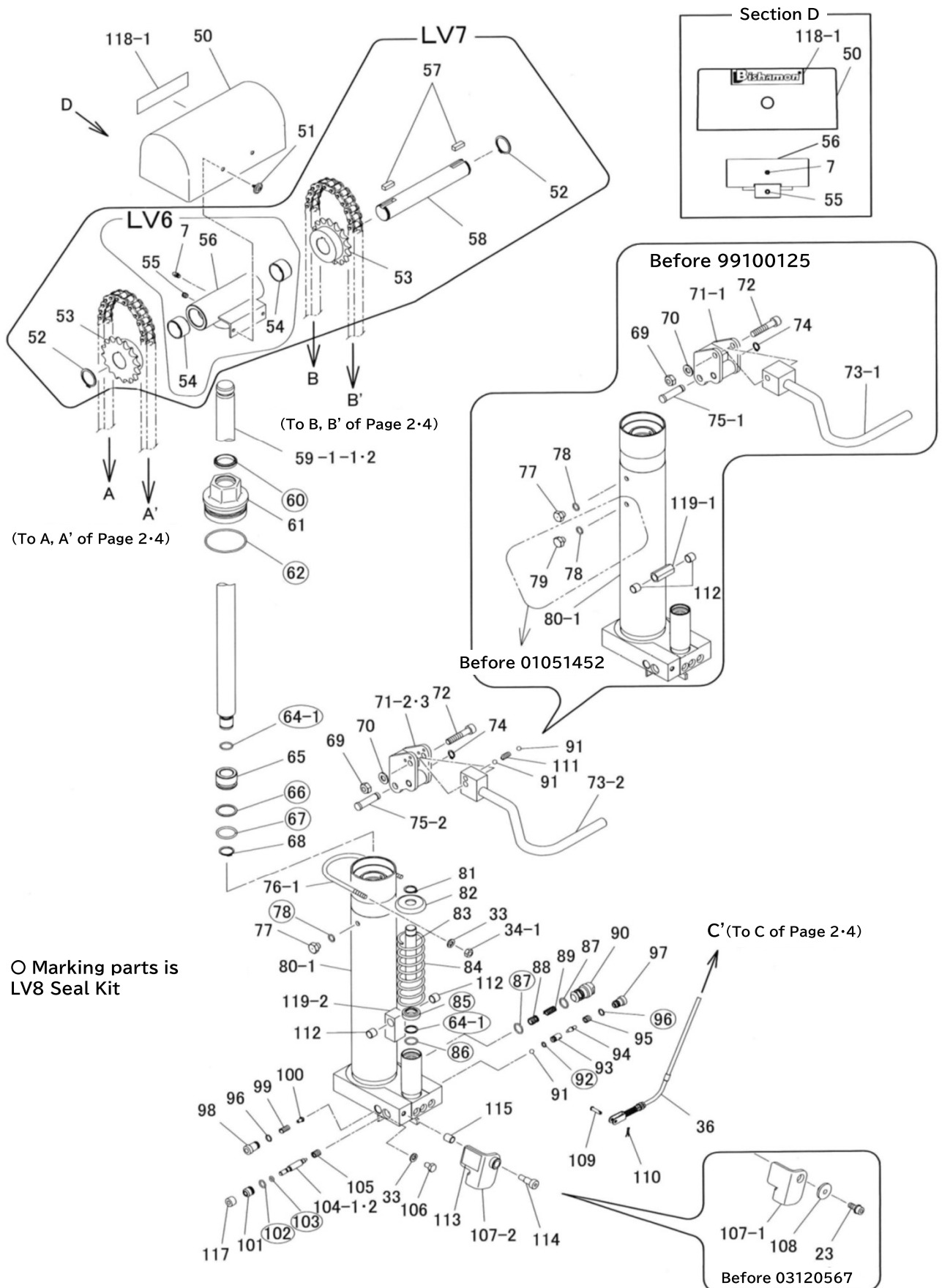
Frame

LV100.100W (After July 1999)

Ill. No.	Parts No.	Parts Name	Standard	Note & Change Date Info.	Qty/Unit		Price/ea.
					100	100W	
LV1	02631460	Guide Roller B Assy	6 · 38		2	2	
LV2	02585080	Front Wheel Assy	15X2 · 16X2 · 17		2	2	
LV3	02585250	Guide Roller A Assy	5 · 13		2	2	
LV9-1	N/A	Steering Handle Assy	351-1 · 352 · 353-1 · 354 · 355-1~357-1	Before 00020828 Replace with LV9-2	1	1	N/A
LV9-2	76005201	Steering Handle Assy	351-1 · 352 · 353-1 · 354 · 355-1~357-1	After 00020829	1	1	
LV10-1	76005340	Handle Guard Plate Assy	27-1 · 28-2 · 35	Width-520 (250X476)	1		
LV10-2	76005360	Handle Guard Plate Assy	27-2 · 28-2 · 35	Width-685 (250X641)		1	
1	N/A	Fork (Not available because Fork is structural parts)			1	1	N/A
2	70833035	Roller Chain	RS60-35L + Joint Link (2L)		2	2	
3	80839321	Joint Link	RS60		4	4	
4	80845011	Snap Ring	RR020		4	4	
5	N/A	Metal Bushing		Replace with LV3	2	2	N/A
6	N/A	Guide Roller B		Replace with LV1	2	2	N/A
7	80827006	Grease Fitting	GNAM6X0. 75		6	6	
8	N/A	I & O Link (Not available because Link is structural parts)			1	1	N/A
9	90980540	Roll Pin	SRP0540		4	4	
10	12585470	Link Metal Bushing A			4	4	
11	12585210	Link Support Pin			4	4	
12	80826996	Grease Fitting	GNASM6X0. 75		2	2	
13	N/A	Guide Roller A		Replace with LV3	2	2	N/A
14	80827016	Grease Fitting	GNBM6X0. 75		2	2	
15	12604680	Pulley Shaft Collar			4	4	
16	81046004	Bearing	6004ZZ		4	4	
17	N/A	Front Wheel	V70X73	Replace with LV2	2	2	N/A
18	12590280	Front Wheel Shaft	L=107mm		2	2	
19	90980530	Roll Pin	SRP0530		2	2	
20-1	N/A	Frame (Not available because Frame is structural parts)			1		N/A
20-2	N/A	Frame (Not available because Frame is structural parts)				1	N/A
21	52589061	Load Diagram Label			1	1	
23	90760820	Hex Socket Head Cap Bolt	HSBS0820 Qty was changed after Dec. 2001		2	1	
25	85000862	Flexible Caster	200UWJSB	Old and New Compatible	1	1	
26	80821824	Scrivet	3820		4	4	
27-1	N/A	Handle Guard Plate	520 Width (250X476)	Replace with LV10-1	1		N/A
27-2	N/A	Handle Guard Plate	685 Width (250X641)	Replace with LV10-2		1	N/A
28-1	52701101	Capacity Label	with Bishamon Logo	Before 06010105	1	1	
28-2	52701100	Capacity Label		After 06010106	1	1	
29	12003943	Control Lever			1	1	
30	90980622	Roll Pin	SRP0622		1	1	
31	90980514	Roll Pin	SRP0514		1	1	
32-1	02585062	Handle	520 Width		1		
32-2	02586063	Handle	685 Width			1	
33	90930508	Spring Washer	SW08SE		4	4	
34-2	90931508	Hex Nut Sealed	HN08SE	Old and New Compatible	4	4	
35	52585200	Caution Label	(English)		1	1	
35	52585300	Caution Label	(French)		1	1	
35	52585320	Caution Label	(German)		1	1	
36-1-1	N/A	Control Cable Assy	Before 02110755	Replace with 36-1-2	1		N/A
36-1-2	52585260	Control Cable Assy	685 Width	After 02110756	1		
36-2	52586260	Control Cable Assy				1	
37	80821858	Rectangular Cap	108-21452	After 05090571 After 05090343	2	2	
38	81772020	Dry LF Bearing	LFB-2020		2	2	
40	90761025	Hex Socket Head Cap Bolt	HSBS1025		8	8	
41-1	N/A	Guide Rail (Not available because Guide Rail is structural parts)			1		N/A
41-2	N/A	Guide Rail (Not available because Guide Rail is structural parts)				1	N/A

LV100 (After July 1999)

Cylinder



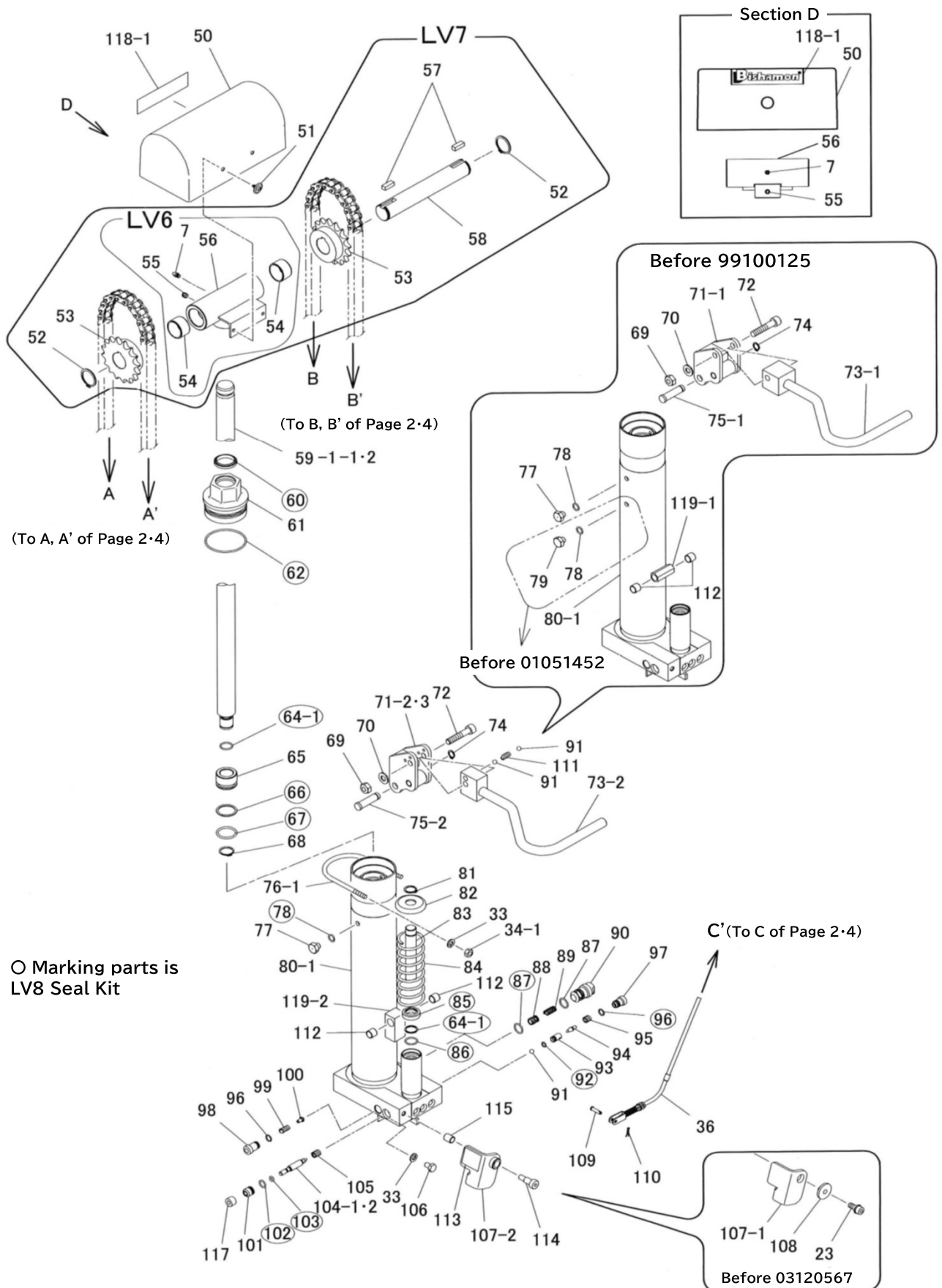
Cylinder

LV100.100W (After July 1999)

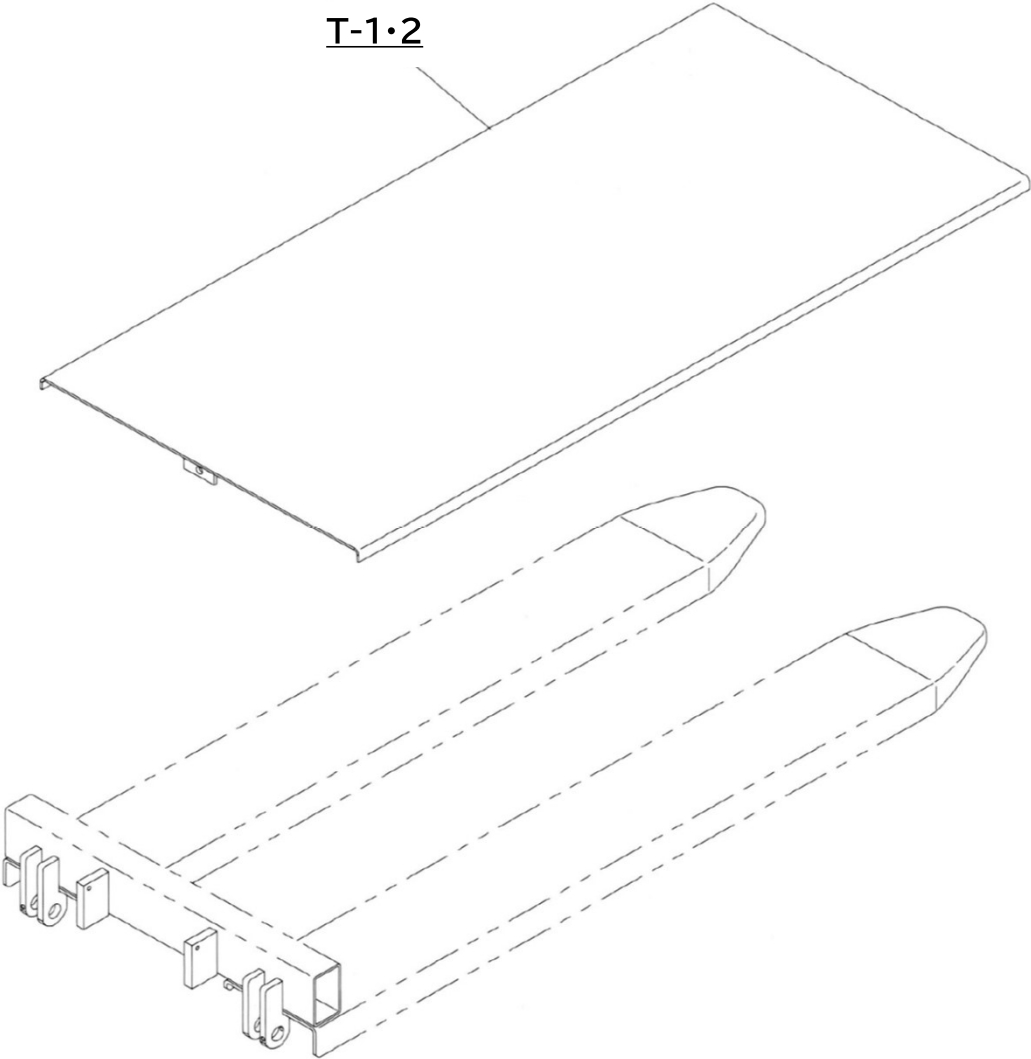
Ill. No.	Parts No.	Parts Name	Standard	Note & Change Date Info.	Qty/Unit		Price/ea.
					100	100W	
LV5	76005241	Cylinder Assy	59~75 · 77~105 · 107 · 108 · 111~116		1	1	
LV6	76005280	Chain Bracket Assy	7 · 54~56		1	1	
LV7	76005300	Chain Bracket & Sprocket Assy	7 · 52~58		1	1	
LV8	76005260	Seal Kit	60 · 62 · 64-1 · 66 · 67 · 78 · 85~87 · 92 · 96 · 102 · 103		1	1	
7	80827006	Grease Fitting	GNAM6X0. 75		1	1	
23	90760820	Hex Socket Head Cap Bolt	HSBS0820	Before 03120567	1	1	
33	90930508	Spring Washer	SW08SE		4	4	
34-1	90930108	Hex Nut	HN08SE		2	2	
50	52585811	Sprocket Cover		Old and New Compatible	1	1	
51	80821833	Scrivet	2658		2	2	
52	80845019	Snap Ring	RR030		2	2	
53	12589760	Chain Wheel			2	2	
54	81703020	Dry Bushing	70B-3020		2	2	
55	90960808	Hex Socket Head Cap Screw	HSS0808		1	1	
56	02589470	Chain Bracket			1	1	
57	12589780	Parallel Key			2	2	
58	12589770	Chain Wheel Shaft			1	1	
59-1-1	12589610	Piston Rod		Before Dec. 1999	1	1	
59-1-2	12589611	Piston Rod		After Jan. 2000	1	1	
60	80803035	Dust Seal	SDR-35		1	1	
61	12589640	Top Nut			1	1	
62	80800131	O Ring	G75		1	1	
64-1	80800019	O Ring	P21		2	2	
65	12589620	Piston			1	1	
66	80806034	Back Up Ring	P34-B		1	1	
67	80800033	O Ring	P34		1	1	
68	80845015	Snap Ring	RR025		1	1	
69	90932710	Hex Nut	HUN10SE		1	1	
71-1	N/A	Pedal Bracket	Before 99100125		1	1	N/A
71-2	N/A	Pedal Bracket	99100126~Jan. 2000		1	1	N/A
71-3	02585552	Pedal Bracket	After Feb. 2000		1	1	
72-1	90921065	Hex Socket Head Cap Bolt	HSB1065	Before 99100125	1	1	
72-2	90921050	Hex Socket Head Cap Bolt	HSB1050	After 99100126	1	1	
73-1	N/A	Pedal Arm	Before 99100125		1	1	N/A
73-2	02589091	Pedal Arm	After 99100126		1	1	
74	80845003	Snap Ring	RR012		1	1	
75-1	12604471	Handle Bracket Pin	Before 99100125		1	1	
75-2	12616801	Piston Head Pin	After 99100126		1	1	
76-1	12589820	Cylinder Holder			1	1	
77	12604330	Air Breather			1	1	
78	80800260	O Ring	9. 5X3 Qty was changed after 01051453		2	1	
79	12003533	Plug	Before 01051452 Discontinued after 01051453		1	1	
80-1	N/A	Cylinder		Replace with LV5	1	1	N/A
81	80845007	Snap Ring	RR016		1	1	
82	12589840	Thrust Washer			1	1	
83	12589830	Plunger			1	1	
84	50705660	Pressure Spring			1	1	
85	80803016	Dust Seal	SDR16		1	1	
86	80806016	Back Up Ring	P16-B		1	1	
87	80800516	O Ring	P16-1B		3	3	
88	12611630	Flow Control Spool			1	1	
89	52614540	Flow Control Spring			1	1	
90	11501320	Flow Control Housing			1	1	
91	80843022	Steel Ball	9/32A Qty was changed after 99100126		1	3	
92	80800005	O Ring	P7		1	1	
93	12003483	Valve Seat			1	1	
94	12003473	Lowering Valve			1	1	

LV100 (After July 1999)

Cylinder



Option



Bishamon



Sugiyasu Corporation

3-21, 4-Chome, Hongo-Cho, Takahama City,
Aichi, Japan 444-1394

Tel. 81-566-53-1126, Fax. 81-566-53-1844
<http://www.bishamon.co.jp/>